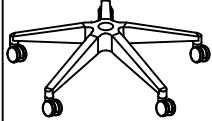
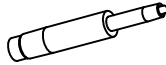
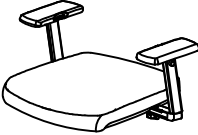
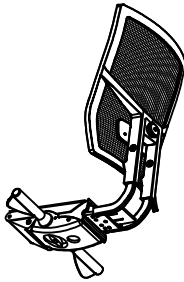
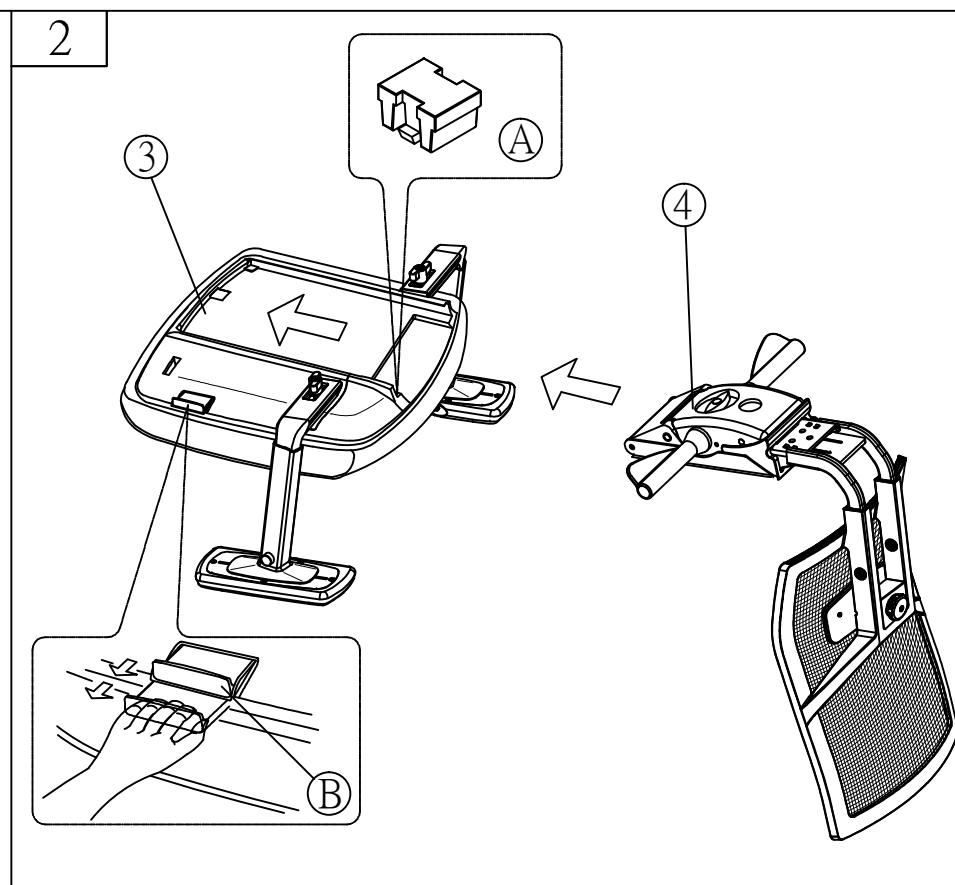
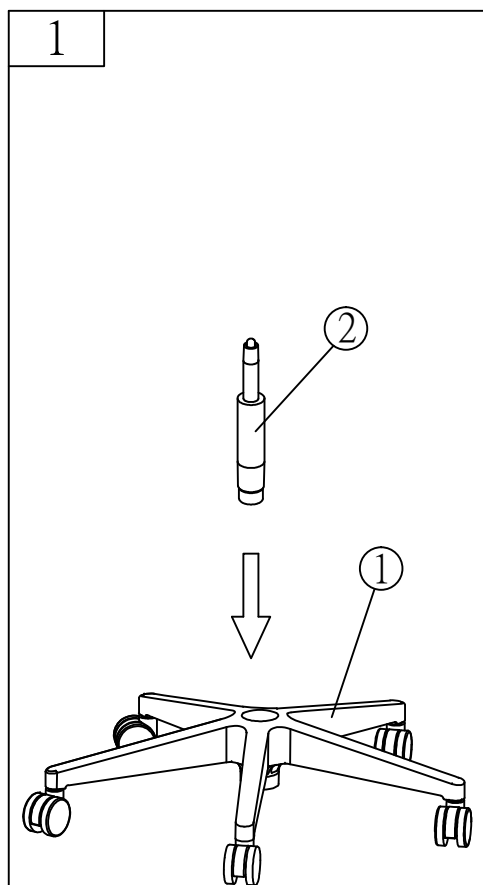


NO.	Parts List	Q'ty
①		x1
②		x1
③		x1
④		x1



1. Please take off the clip (A) first before assembling the mechanism (4) with seat.

2. Then pull out the button (B) to push the mechanism (4) to the correct position of seat.

